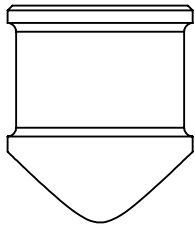
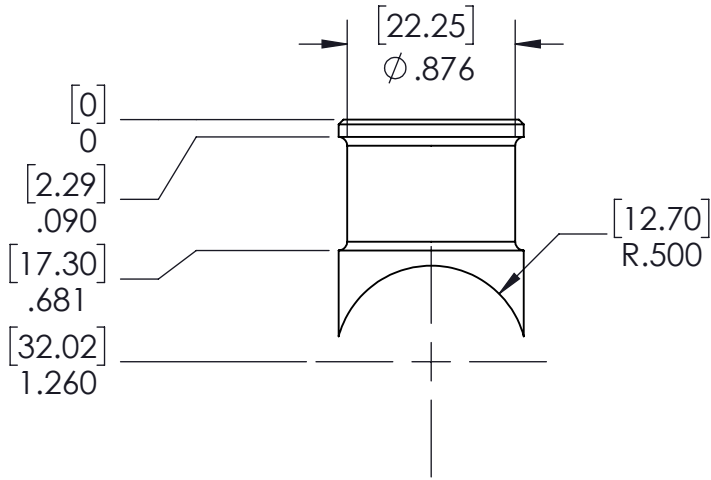
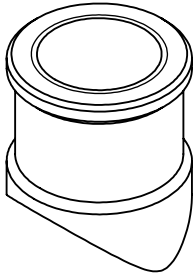
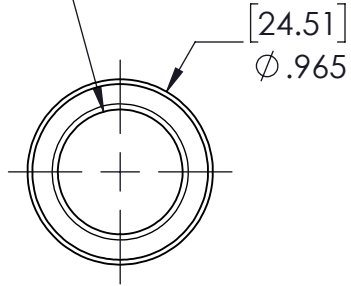


REVISIONS		
REV.	DESCRIPTION	DATE
A	Production release	5/13/2019
B	Add thread ID tolerance	5/10/2022

$\phi$  .650 [16.50] THRU ALL  
 M18X1.5 - 6H THRU ALL  
 (ID 16.38-16.68mm)



GENERAL TOLERANCE [mm]

OVER-TO	MACHINING PUNCHING	BENDING	ANGLE
0.5-6	±0.1	±0.3	±1°
6-30	±0.2	±0.5	±30'
30-120	±0.3	±0.8	±20'
120-400	±0.8	±1.2	±10'
400-1000	±1.2	±2.0	±5'

NAME	DATE
Eric Steen	5/13/2019
CHECKED	
APPROVED	
3RD ANGLE PROJECTION	
UNIT	
[mm] INCH	

MATERIAL
303 SS
FINISH



SIZE	PART #	REV
A	M18X23SSB-1000	B
SCALE: 1:1	Machine Shop Drawing Sheet	SHEET 1 OF 1

PROPRIETARY AND CONFIDENTIAL  
 THE INFORMATION CONTAINED IN THIS DRAWING IS THE SOLE PROPERTY OF YOSHIMURA R&D. ANY REPRODUCTION IN PART OR AS A WHOLE WITHOUT THE WRITTEN PERMISSION OF YOSHIMURA R&D IS PROHIBITED.